

User Guide

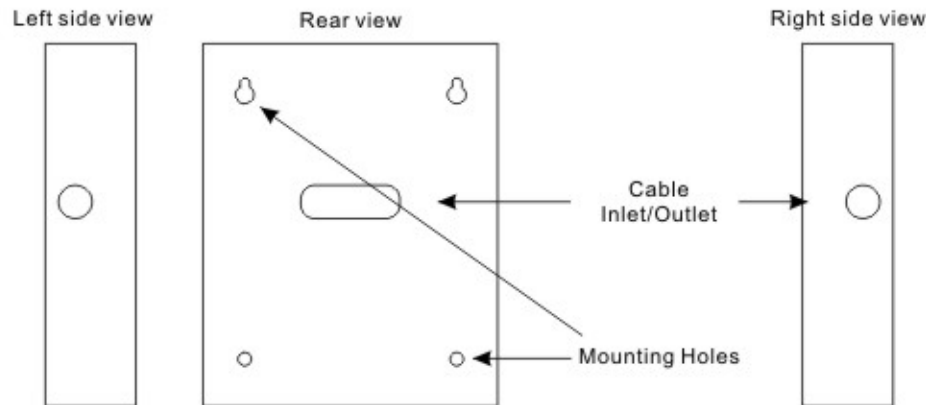
Model : SSP-PWR-1205

12V DC 5AMP

- Carefully read this user guide before activating and using.
- Use this equipment only for indoor application.

Mounting

This enclosure must be mounted firmly and securely.

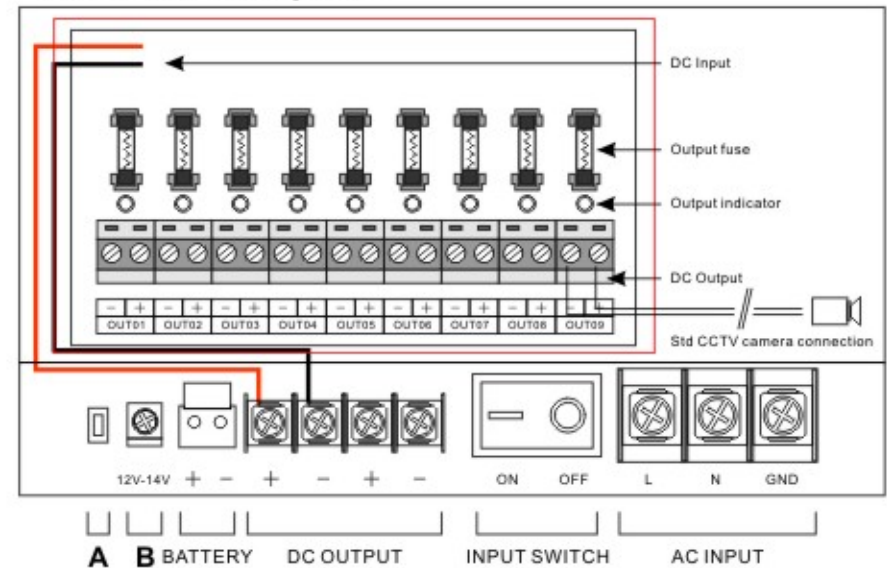


LED description

- ①Red ● AC POWER
- ②Green ● DC OUTPUT
- ③Amber ● BATTERY CHARGE
- ④Red ● BATTERY LOW VOLTAGE

Situation	①Red	②Green	③Amber	④Red
Battery in charging	on	on	flash	off
Battery in full charged	on	on	on	off
No AC, V-battery > 11±0.3V	off	on	on	off
No AC, 10±0.3V<V-battery<11±0.3V	off	on	on	on
No AC, V-battery < 10±0.3V	off	off	off	off

Terminal description



A: BATTERY ACTIVATION SWITCH

*Before connecting to AC power for the first time, this switch can be used for activating battery; After connecting to AC power, battery will be activated automatically in each AC power failure, without pushing this switch.

B: ADJUSTABLE OUTPUT VOLTAGE

*Based on the premise that the load can work normally, output voltage regulation is suggested between 13.8V to 14.0V.

Main specification

AC supply: 100-240V AC 50/60Hz
 Output voltage --
 on mains power: 12.0V-14.0V DC adjustable
 on battery standby: 10.0V-12.5V DC
 Max. Output current: 5.0Amp
 Max. Charge current: 0.8Amp
 Output fuse: 1.5A 250V
 Recommended battery: 12V , 7Ah
 Operation temperature: -20~+45 Degree Celsius
 Humidity: Up to 90% non-Condensing

Protection

- Over-voltage protection
- Over-current protection
- Short circuit protection
- Over charge protection
- Over discharge protection
- Self-recovery when fault condition remove

Caution

- Install in a controlled environment, make sure the power supply is well ventilated.
- It is mandatory to ground the power supply.
- Improper storage and installation environment may deteriorate insulation, shorten components life and cause malfunctions.
- Replace fuse ratings as needed, to match your equipment's requirements.



All content, specifications and availability subject to change without prior notice.