

SPIDER SECURITY PRODUCTS

PHYSICAL SECURITY REDEFINED.™



A&E SPECIFICATIONS

SPIDER TAMPER SWITCH

PART NUMBER: SSP-RDR-884-TAMPER-BRK

DESCRIPTION AND BENEFITS

Even security systems themselves can need added layers of protection.

Safeguard your access control readers that sit vulnerable outside secured facilities!

Our Tamper Switches are ideal for monitoring readers that either don't have built-in tamper outputs, or those with inadequate switches.

- Proximity Card Readers
- Biometric Scanners
- Retinal Scanners
- Enclosures, Controllers, Junction Boxes

A Common Question: "My devices might already have tamper switches. Why would I still need Spider Tamper Switches?"

3 Reasons-

#1 Most readers actually do not have factory-equipped tamper switches at all. Or if they do, the majority of them don't work optimally.

#2 Most integrated tamper switches use Optical Tamper Switches or Magnetic Reed Switches. Both are vulnerable technologies:

- If power is lost at the reader, an Optical Switch will cease functioning.
- Reed Switches can be quickly tricked by stronger magnets.

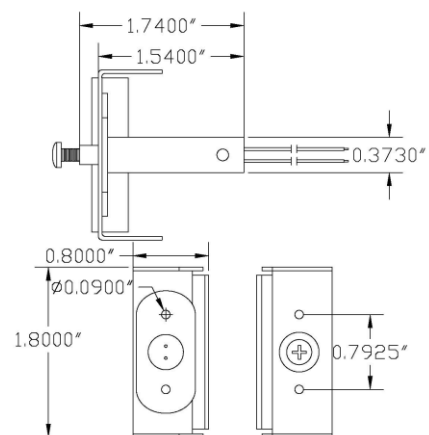
#3 Spider Tamper Alarm Switches utilize "Normally Closed" signals. When paired in conjunction with a Spider Blocker this signal establishes "End-to-End" wiring supervision, monitoring cabling pathways against cable cutting & tampering.



SPECIFICATIONS AND FEATURES

Attributes:

- Bracket-style Installation (Ideal for electrical backboxes & enclosures)
- Minimum 3/8" Mounting Hole cavity needed
- Form B: Common & Normally Closed Output
- 16" Leads
- 22AWG Wires
- Maximum: 100 Volts
- Maximum: 10 Watts
- Maximum: .5 Amps
- 3/16" Plunger Throw Action
- Includes Screw Extension
Min. Compressed = .10", Maximum Extended = .5"



CRUCIAL INFO AT: WWW.SPIDERPROTECT.COM