

SPIDER SECURITY PRODUCTS

PHYSICAL SECURITY REDEFINED.™

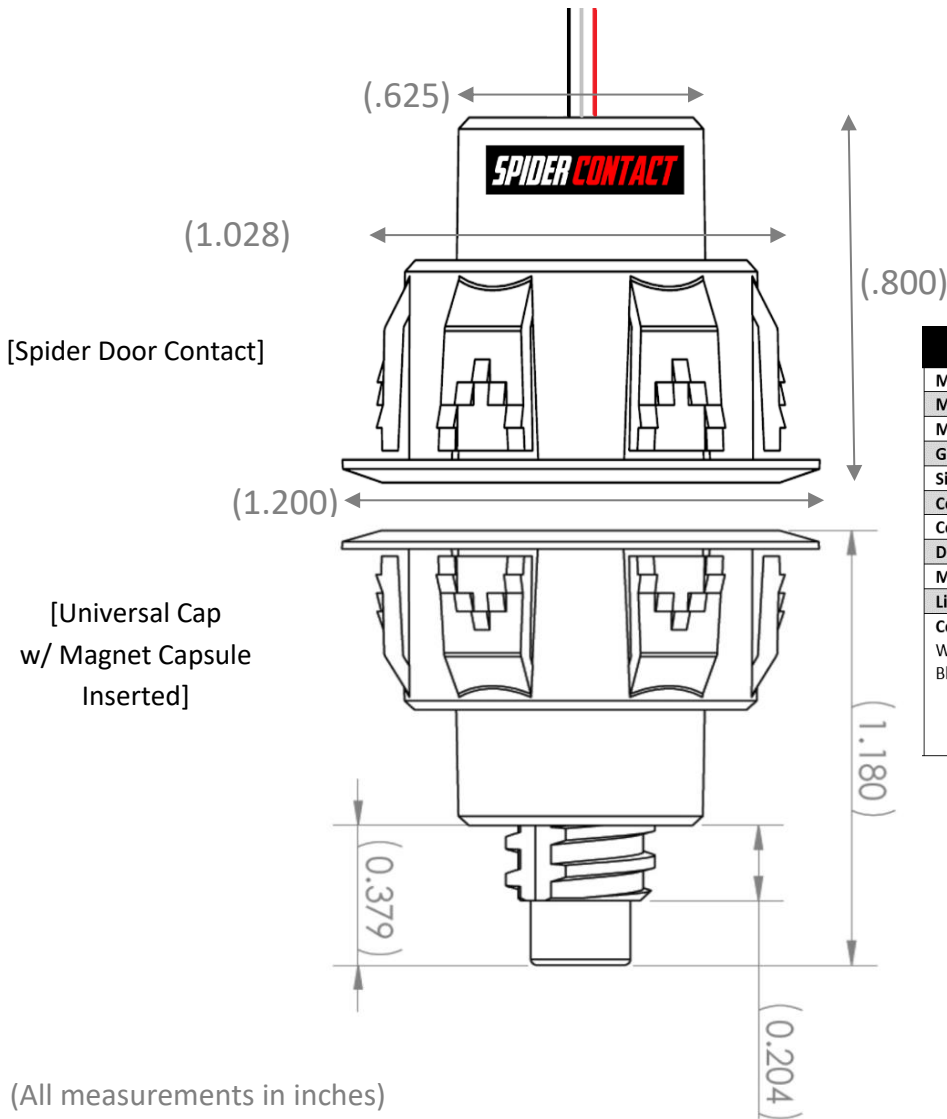


A&E SPECIFICATIONS

SPIDER DOOR CONTACTS

PART NUMBER: SSP-SDC-101-H

PRODUCT DIMENSIONS & RATINGS



RATINGS:

| |
|---|
| Max. Voltage: 30 Volts DC (Resistive) |
| Max. Current: .25 Amp |
| Max. Watts: .25 Watts |
| Gap Distances: Maximum .375" (Steel), .375" (Wood) |
| Signal Output: (SPDT) COMMON / NO / NC |
| Colors: BLACK=Common / RED=Normally Open / WHITE=Normally Closed |
| Conductors: 6" Pre-Twisted 22 Gauge Conductors |
| Dimensions: 1.00" W x 1.50" H |
| Magnet Specifications: .250"x1.00" Neodymium Grade N42 |
| Life Cycles: 10,000,000 |
| Colors Available: White (SSP-SDC-101-W) Black (SSP-SDC-101-B) |

DOOR APPLICATION TYPES FOR MAGNET PLACEMENT:

- Door Type #1: Wooden Door with Solid Top
- Door Type #2: Metal Door with Solid Top
- Door Type #3: Metal Door with Narrow-Channeled Top
- Door Type #4: Metal Door with Deep-Channeled Top