

# SPIDER SECURITY PRODUCTS

PHYSICAL SECURITY REDEFINED.™



## PRODUCT DATASHEET

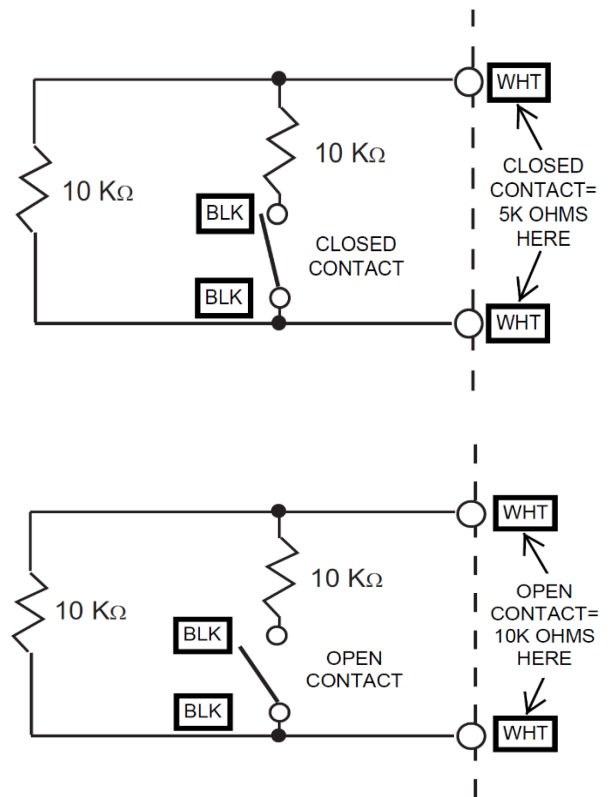
### SPIDER RESISTOR PACKS

PART NUMBER: 55P-DST-510K-RESPK

#### PRODUCT INFORMATION

##### Spider Resistor Packs Key Attributes:

- **Just The Right Length** – Perfect length of 9" long.
- **Easy Color Scheme** – Competing products have Black and Very Dark Blue Leads: These colors are nearly identical to each other, and in turn becomes a common cause of miswirings (as many installation location areas are poorly lit). Our Black & White Leads make it virtually impossible to make color-coding mistakes.
- **In-line Design** – Our product has (2) Black Leads one direction, and (2) White Leads in the opposite direction in a sleeker "in-line" design.
- **Twisted Pair** – Most manufacturers require unshielded twisted pair wires, and our pre-twisted design meets this requirement.
- **Encapsulation**— Our Patent Pending design encapsulates the resistor components safely inside the capsule.
- **Lifetime Warranty** – Have a bad pack? Just mail us back the bad ones for immediate replacement!



#### SPECIFICATIONS

##### Internal Components (Per each Resistor Pack):

- (Qty 2) 10,000 Ohm [Tolerance ±5%] 1/4 Watt Resistors
- 22 AWG Stranded Wire

##### Ratings:

Maximum Volts: 30VAC/VDC  
Maximum Watts: 7.5W  
Maximum Amps: .25A



CRUCIAL INFO AT: [WWW.SPIDERPROTECT.COM](http://WWW.SPIDERPROTECT.COM)