

SPIDER SECURITY PRODUCTS

PHYSICAL SECURITY REDEFINED.™



PRODUCT DATASHEET

SPIDER AUTO DOOR OPENER

PART NUMBER: 55P-AUTODOOR-120A

PRODUCT DETAILS

Our Automatic Door Opener helps to create safe, contactless ways that employees can use to enter secure locations. Especially when paired with an access control system using touchless credential technologies.

Safety features:

- Automatically re-opens if an object is sensed during closing sequence.
- Allows manual operation during power loss

What's included:

- (1) Motor Box Unit (can be painted to match your doorframes/doors)
- (2) Wireless Remote Pushbuttons, (Frequency of 433.92MHz)
- (2) Keychain Remote Control Units (Auto/Open/Lock/Reset)
- (1) Outswing Bracket Arm
- (1) Inswing Slider Adapter
- (1) Hand Programmer for adjusting parameters
- (2) "Caution: Automatic Door" Stickers
- (Misc) Screws and screw anchors
- Installation Manual / User guide
- AC Power Cord

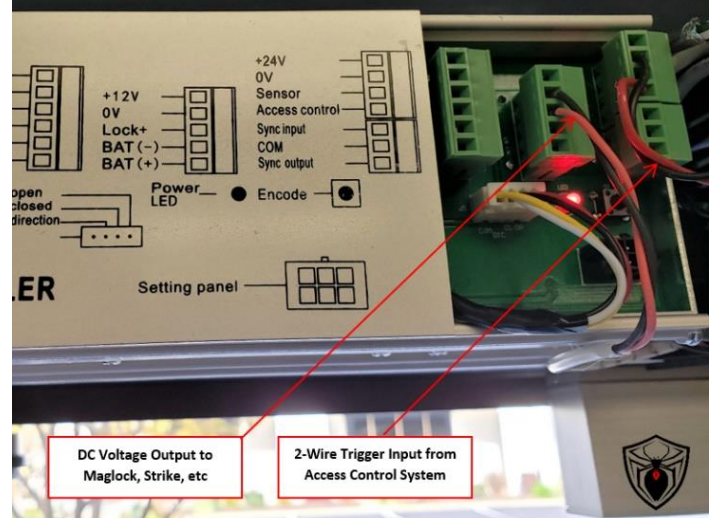


SPECIFICATIONS AND INFO

Technical Parameters:

- For a single leaf door only
- Dual applications: One-way Outswing, or One-way Inswing (with included adapter)
- Input Voltage: 110-220 VAC +/-10%
- Motor: DC 24V brushless motor
- Power Consumption: 50 Watts
- Opening Time: 3-7 sec. @ 90 degrees
- Hold Open Time: 1-30 sec. Adjustable
- Maximum Door Frame Depth: 450mm / 17.7"
- Door Width: Max. 1200mm / 47.2" Min. 660mm / 26"
- Maximum Door Weight: 264 lbs
- Max. Opening Angle: 120 degrees
- Environment Temperature: -20C to 50C / -4F to 122F
- Operation noise: Less than 55db
- Opener size: 21.45"(L)*3.35"(W)*3.74"(H)
- Opener weight: 10kg/ 21.0 LBS

Typical Wiring Scheme



CRUCIAL INFO AT: WWW.SPIDERPROTECT.COM